

Super Slim LED Linear Light

GS-2109



Product Feature

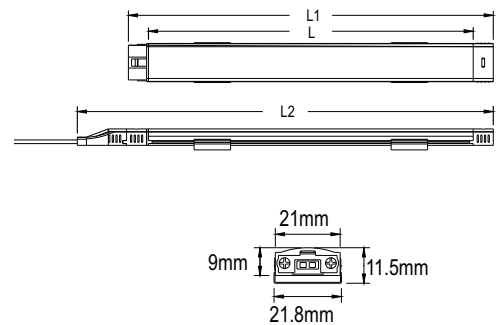
- Ultra-thin design LED linear light, 9mm height
- Edgeless design, elegant appearance
- Multiple quick connection system
- Dimming accessory is available
- Used for display, shelves, furniture, cabinet and other occasions lighting

Parameters

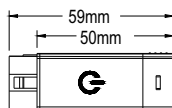
Part No.	Length (cm)	Input Vol.	Wattage	Lumen	Light Efficiency	CRI	CCT	Operating Temp.
GS-2109-020	20	DC24V	2.8W	196.0lm	70lm/W	Ra>90	2700K/3000K/4000K/6000K	0~45 °C
GS-2109-030	30	DC24V	3.8W	266.0lm	70lm/W	Ra>90	2700K/3000K/4000K/6000K	0~45 °C
GS-2109-050	50	DC24V	5.8W	406.0lm	70lm/W	Ra>90	2700K/3000K/4000K/6000K	0~45 °C
GS-2109-100	100	DC24V	12.0W	840.0lm	70lm/W	Ra>90	2700K/3000K/4000K/6000K	0~45 °C

Dimension

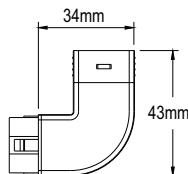
Part No.	Wattage (w)	Voltage (v)	L (mm)	L1 (mm)	L2 (mm)
GS-2109-020	2.8	24	178	200	229
GS-2109-030	3.8	24	278	300	329
GS-2109-050	5.8	24	478	500	529
GS-2109-100	12.0	24	978	1000	1029



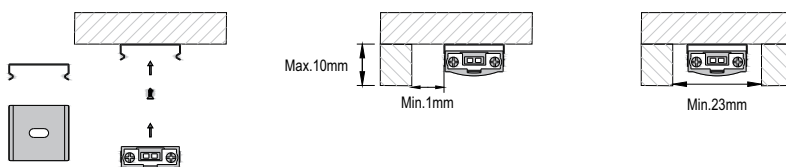
Touch dimmer switch



Angle connector left/right



Installation



■ Accessory

<p>Angle connector left GS-2109-LL</p> <p>Used for LED linear light angle connection 90°for left side</p>			
<p>Angle connector right GS-2109-LR</p> <p>Used for LED linear light angle connection 90°for right side</p>			
<p>Power input cable GS-2109-PCxx</p> <table border="1" data-bbox="231 515 758 571"> <tr> <td data-bbox="231 515 494 571">GS-2109-PC03 L=30CM,MAX: 4.0A</td> <td data-bbox="494 515 758 571">GS-2109-PC20 L=200CM,MAX: 4.0A</td> </tr> </table>	GS-2109-PC03 L=30CM,MAX: 4.0A	GS-2109-PC20 L=200CM,MAX: 4.0A	
GS-2109-PC03 L=30CM,MAX: 4.0A	GS-2109-PC20 L=200CM,MAX: 4.0A		
<p>End to end connection cable GS-2109-ETECxx</p> <table border="1" data-bbox="231 660 758 716"> <tr> <td data-bbox="231 660 494 716">GS-2109-ETEC03 L=30CM,MAX: 4.0A</td> <td data-bbox="494 660 758 716">GS-2109-ETEC20 L=200CM,MAX: 4.0A</td> </tr> </table>	GS-2109-ETEC03 L=30CM,MAX: 4.0A	GS-2109-ETEC20 L=200CM,MAX: 4.0A	
GS-2109-ETEC03 L=30CM,MAX: 4.0A	GS-2109-ETEC20 L=200CM,MAX: 4.0A		
<p>Mounting clip GS-2109-MC</p>			
<p>End cap GS-2109-EC</p>			
<p>Touch dimmer switch GS-2109-TD</p> <p>Used for dimming for LED linear light, MAX: 3.0A 72W Switch on/off by touching Dimming by long press for 4s</p>			