



Scan to watch video

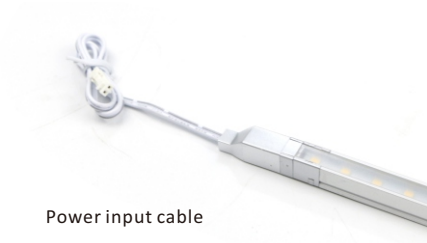
Super Slim LED Linear Light GS-1010S



■ Product Feature

- Seamless end to end connection available
- Mini LED linear light, 10mm height
- Multiple quick connection systems
- Rotational angle connection available
- Flat, square, round PC cover are available, meet different application requirement
- LED dot free and soft light
- Different installation including magnetic for metal shelf,
Mounting clip for wooden shelf providing angle in 45°&15°
- Dimming accessories are available, including hand wave motion sensor switch and touch dimmer switch

■ Multiple Options



Power input cable



Linear light end to end connection cable



Side power input LED module



Square PC cover



Round PC cover



Flat frosted PC cover



Rotatable angle connector



Rotatable angle connector



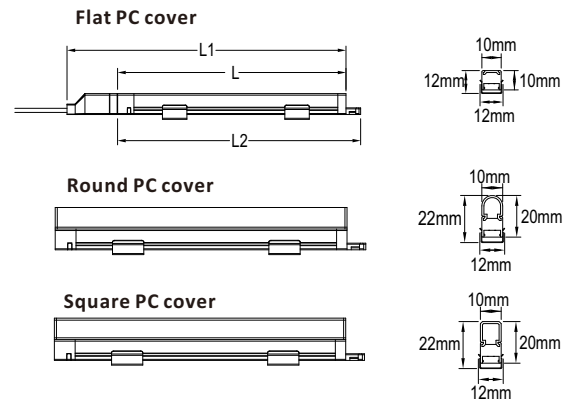
Touch dimmer switch

Parameters

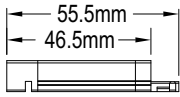
Part No.	Length (cm)	Input Vol.	Wattage	Lumen	Light Efficiency	CRI	CCT	Operating Temp.
GS-1010S-014	14	DC24V	1.9W	142.5lm	75lm/W	Ra>90	2700K/3000K/4000K/6000K	0~45℃
GS-1010S-028	28	DC24V	3.8W	285.0lm	75lm/W	Ra>90	2700K/3000K/4000K/6000K	0~45℃
GS-1010S-056	56	DC24V	7.6W	570.0lm	75lm/W	Ra>90	2700K/3000K/4000K/6000K	0~45℃
GS-1010S-084	84	DC24V	11.4W	855.0lm	75lm/W	Ra>90	2700K/3000K/4000K/6000K	0~45℃
GS-1010S-112	112	DC24V	15.2W	1140.0lm	75lm/W	Ra>90	2700K/3000K/4000K/6000K	0~45℃
GS-1010SSF-014	14	DC24V	1.9W	142.5lm	75lm/W	Ra>90	2700K/3000K/4000K/6000K	0~45℃
GS-1010SFC-010	10	DC24V	1.9W	95.0lm	50lm/W	Ra>90	2700K/3000K/4000K/6000K	0~45℃

Dimension

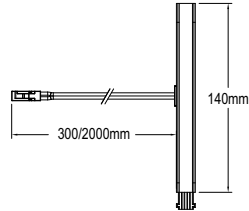
Part No.	Wattage (w)	Voltage (v)	L (mm)	L1 (mm)	L2 (mm)
GS-1010S-014	1.9	24	140	171	149
GS-1010S-028	3.8	24	280	311	289
GS-1010S-056	7.6	24	560	591	569
GS-1010S-084	11.4	24	840	871	849
GS-1010S-112	15.2	24	1120	1151	1129



Dimmer

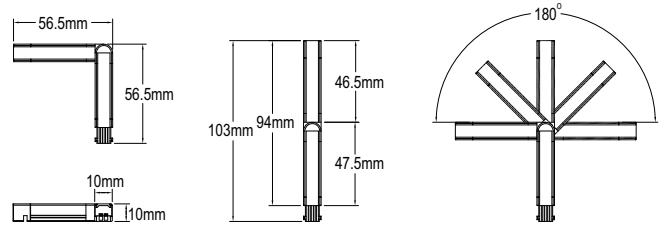


Side power input LED module



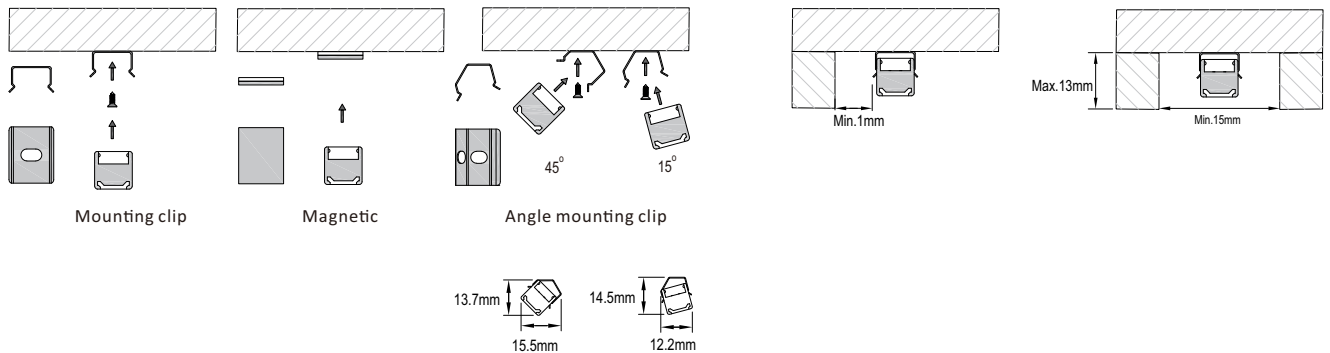
GS-1010SSF-014

Rotatable angle connector



GS-1010SFC-010

Installation



■ Accessory

<p>Side power input LED module GS-1010SSF-014</p> <p>Used for powering the LED linear light, L=15/200cm, MAX: 4.0A</p>			
<p>Rotatable angle connector GS-1010SFC-010</p> <p>Used for LED linear light left & right connection, angle -90°~90°</p>			
<p>Power input cable GS-1010S-PCxx</p> <table border="1" data-bbox="229 510 756 573"> <tr> <td data-bbox="229 510 496 573"> GS-1010S-PC03 L=30CM,MAX: 4.0A </td> <td data-bbox="496 510 756 573"> GS-1010S-PC20 L=200CM,MAX: 4.0A </td> </tr> </table>	GS-1010S-PC03 L=30CM,MAX: 4.0A	GS-1010S-PC20 L=200CM,MAX: 4.0A	
GS-1010S-PC03 L=30CM,MAX: 4.0A	GS-1010S-PC20 L=200CM,MAX: 4.0A		
<p>End to end connection cable GS-1010S-ETECxx</p> <table border="1" data-bbox="229 667 756 730"> <tr> <td data-bbox="229 667 496 730"> GS-1010S-ETEC03 L=30CM,MAX: 4.0A </td> <td data-bbox="496 667 756 730"> GS-1010S-ETEC20 L=200CM,MAX: 4.0A </td> </tr> </table>	GS-1010S-ETEC03 L=30CM,MAX: 4.0A	GS-1010S-ETEC20 L=200CM,MAX: 4.0A	
GS-1010S-ETEC03 L=30CM,MAX: 4.0A	GS-1010S-ETEC20 L=200CM,MAX: 4.0A		
<p>Mounting clip (Standard) GS-1010S-MCS</p>			
<p>Mounting clip (15° / 45°) GS-1010S-MC15 / 45</p>			
<p>Touch dimmer switch GS-1010S-TD</p> <p>Used for touch dimming for LED linear light , MAX: 3.0A 72W Switch on/off by touching Dimming by long press for 4s</p>			
<p>End cap GS-1010S-EC</p>			